

CATHERINE PLACE DETENTION POND MODIFICATION CONWAY, ARKANSAS CONSTRUCTION PACKAGE

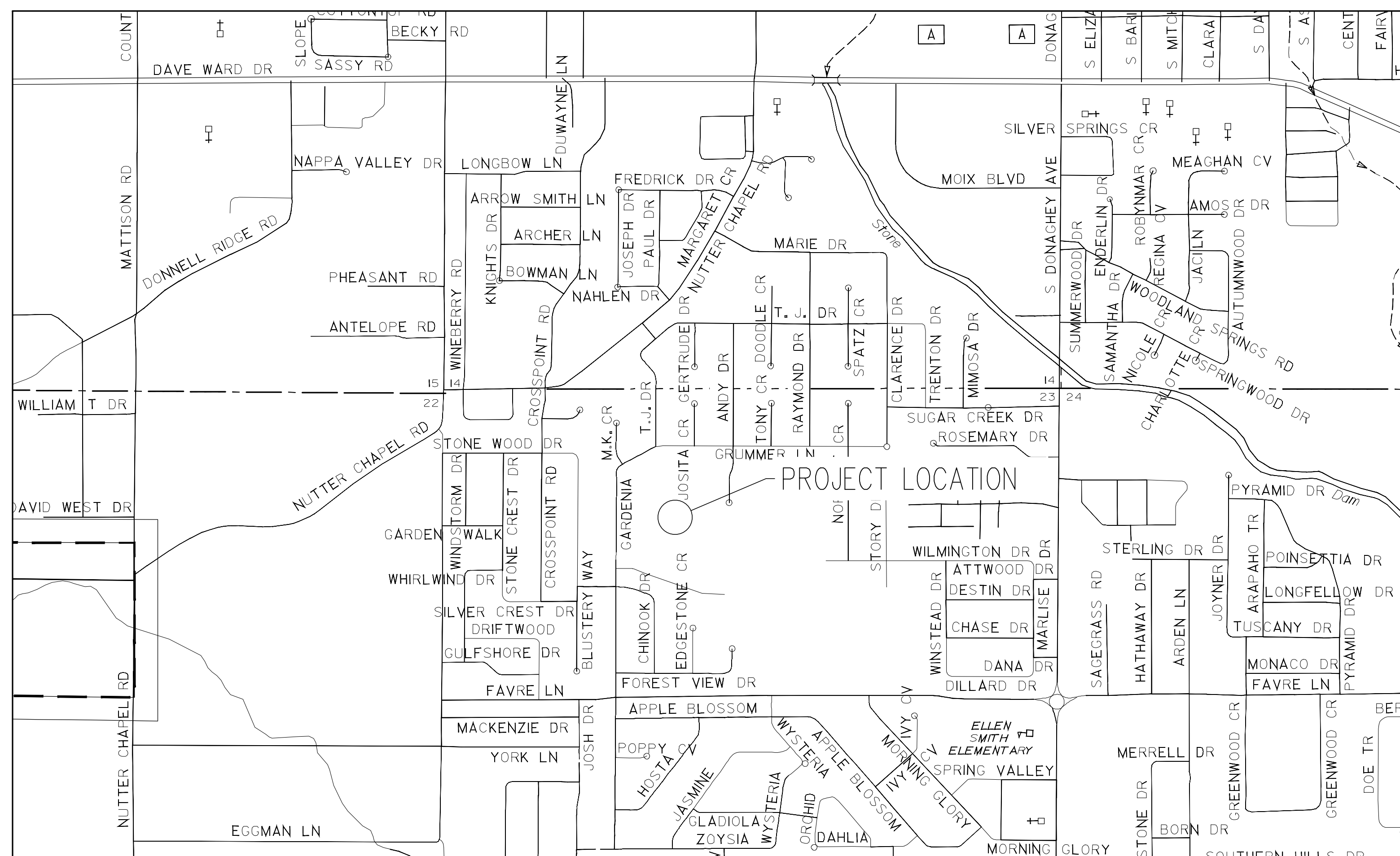
REVISIONS

NO.	DESCRIPTION	DATE

VICINITY MAP

INDEX TO DRAWINGS

- C0 COVER SHEET
- C1 GRADING PLAN
- C2 PLAN, PROFILE & DETAILS



N.T.S

DATE: MARCH 23, 2023
 JOB#: 22-106

CONWAY TRANSPORTATION DEPARTMENT
 100 E. ROBINS STREET STREET CONWAY, ARKANSAS
 PH: 501.450.6165 FAX: 501.513.3566

CATHERINE PLACE
 DETENTION POND MODIFICATION

JOB NUMBER: 22-106
 DRAWN BY: NTR
 CHECKED BY: KJJ
 DATE: 3/23/23
 SCALE: N.T.S.

COVER

C0

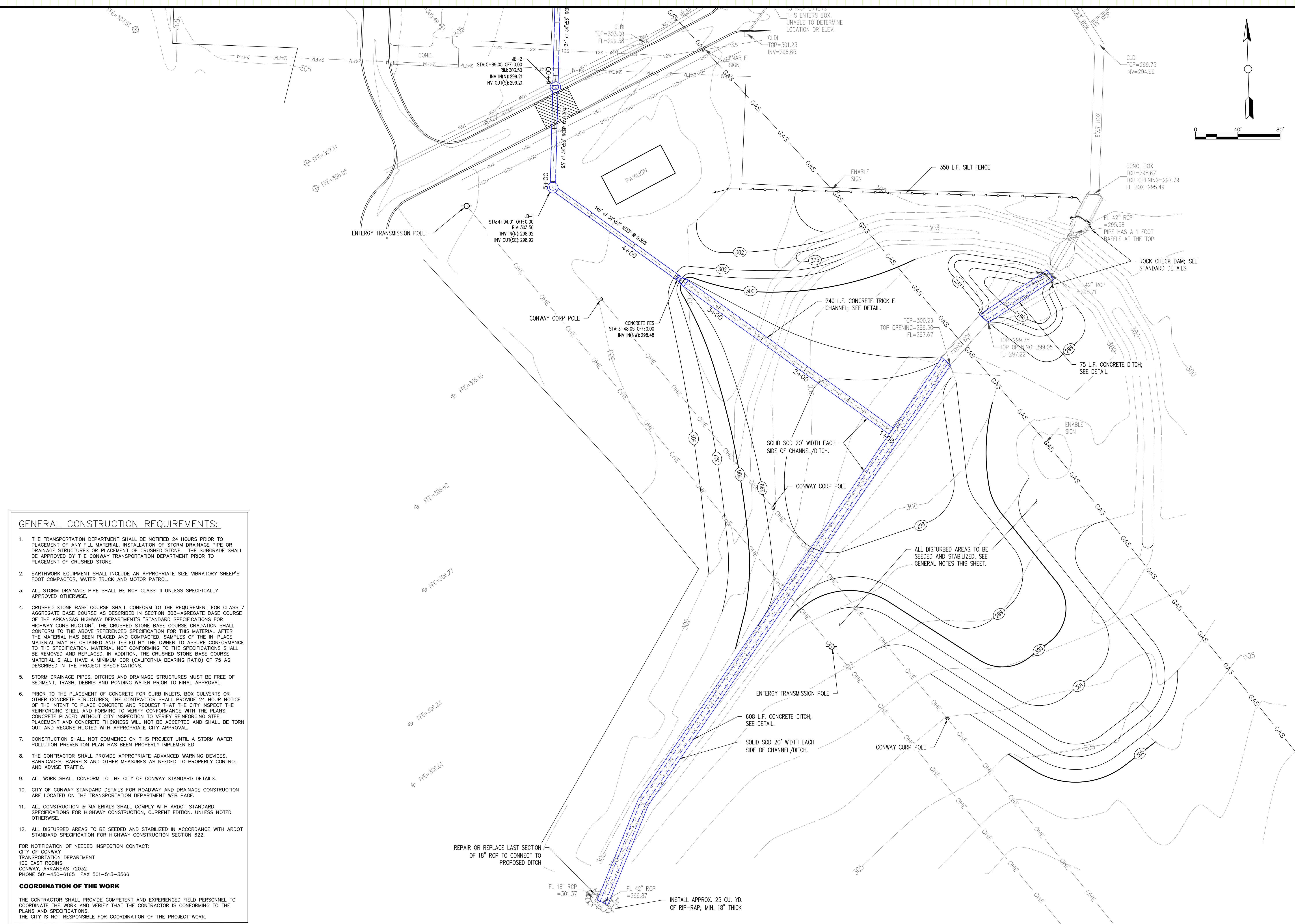
REVISIONS

NO.	DESCRIPTION	DATE

CATHERINE PLACE
DETENTION POND MODIFICATION

JOB NUMBER: 22-106
DRAWN BY: NTR
CHECKED BY: KJJ
DATE: 2/10/23
SCALE: 1"=40'

GRADING PLAN
C1

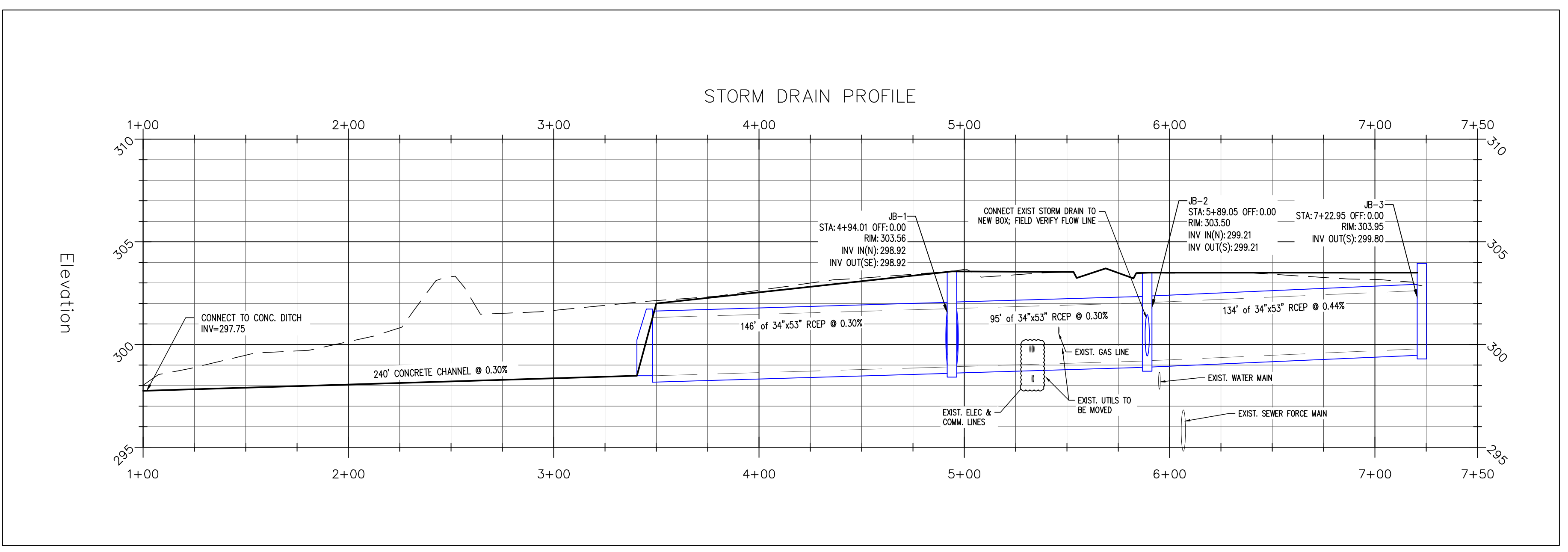
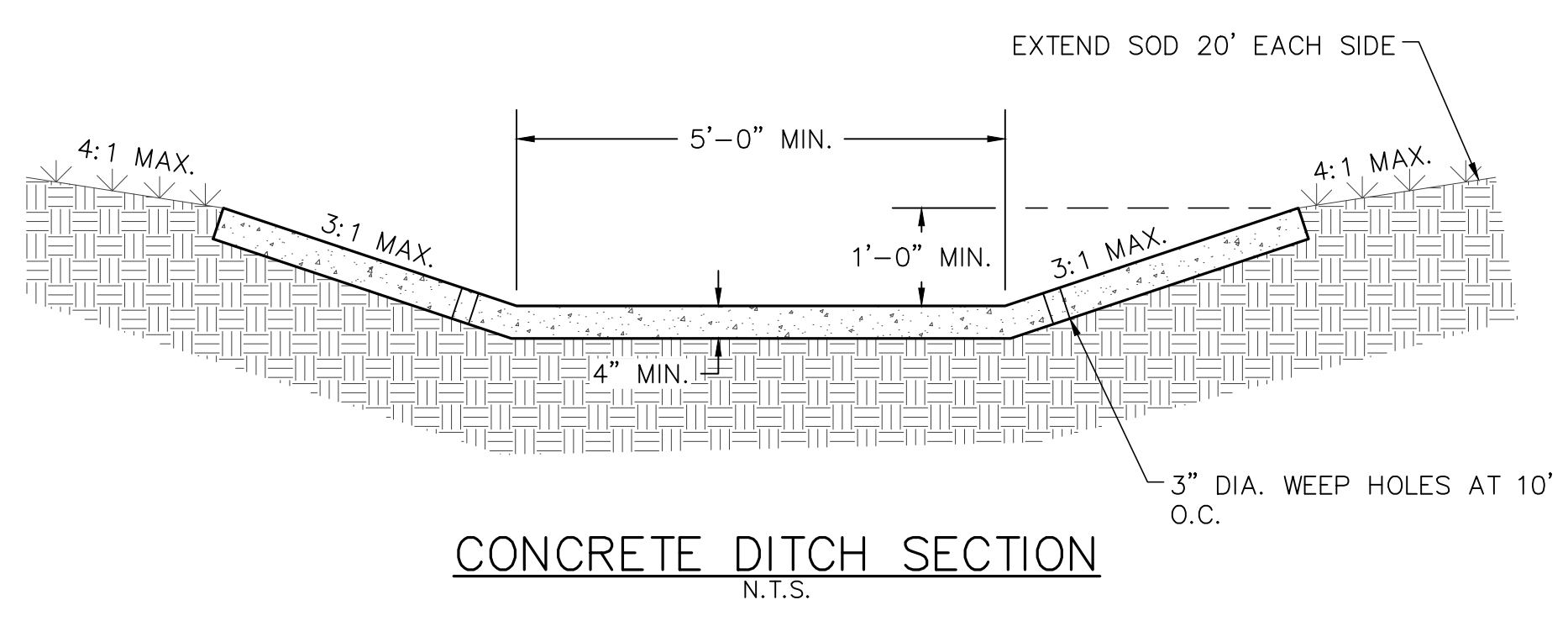
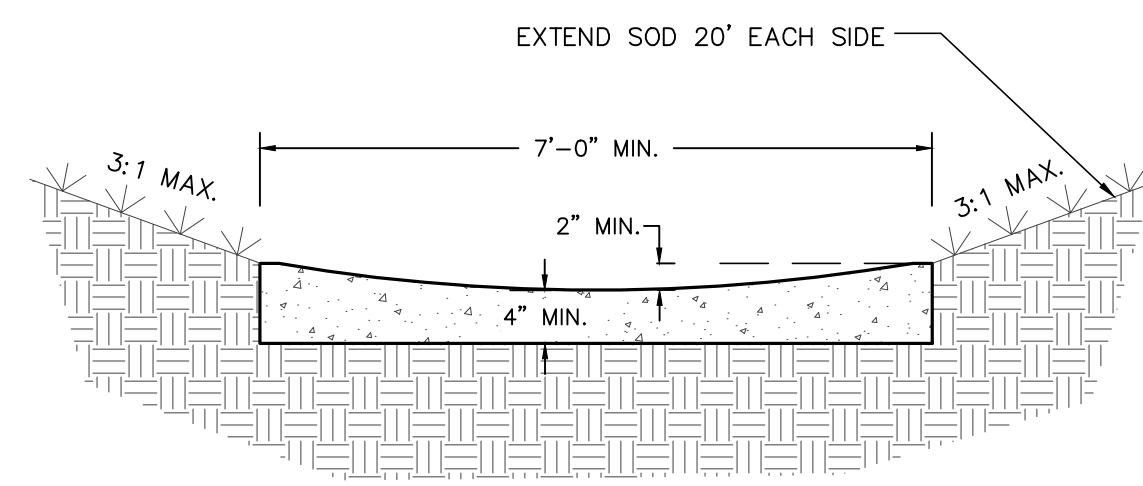
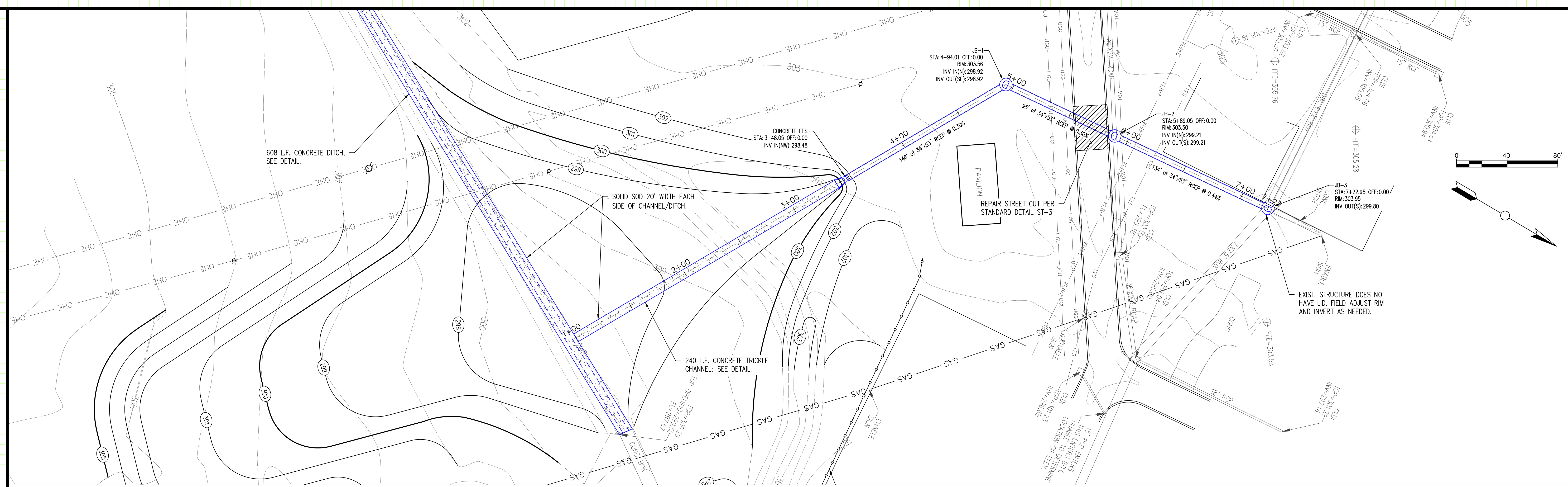


GENERAL CONSTRUCTION REQUIREMENTS:

1. THE TRANSPORTATION DEPARTMENT SHALL BE NOTIFIED 24 HOURS PRIOR TO PLACEMENT OF ANY FILL MATERIAL, INSTALLATION OF STORM DRAINAGE PIPE OR DRAINAGE STRUCTURES OR PLACEMENT OF CRUSHED STONE. THE SUBGRADE SHALL BE APPROVED BY THE CONWAY TRANSPORTATION DEPARTMENT PRIOR TO PLACEMENT OF CRUSHED STONE.
 2. EARTHWORK EQUIPMENT SHALL INCLUDE AN APPROPRIATE SIZE VIBRATORY SHEEP'S FOOT COMPACTOR, WATER TRUCK AND MOTOR PATROL.
 3. ALL STORM DRAINAGE PIPE SHALL BE RCP CLASS III UNLESS SPECIFICALLY APPROVED OTHERWISE.
 4. CRUSHED STONE BASE COURSE SHALL CONFORM TO THE REQUIREMENT FOR CLASS 7 AGGREGATE BASE COURSE AS DESCRIBED IN SECTION 303-AGREGATE BASE COURSE OF THE ARKANSAS HIGHWAY DEPARTMENT'S "STANDARD SPECIFICATIONS FOR HIGHWAY CONSTRUCTION". THE CRUSHED STONE BASE COURSE GRADATION SHALL CONFORM TO THE ABOVE REFERENCED SPECIFICATION FOR THIS MATERIAL AFTER THE MATERIAL HAS BEEN PLACED AND COMPACTED. SAMPLES OF THE IN-PLACE MATERIAL MAY BE OBTAINED AND TESTED BY THE OWNER TO ASSURE CONFORMANCE TO THE SPECIFICATION. MATERIAL NOT CONFORMING TO THE SPECIFICATIONS SHALL BE REMOVED AND REPLACED. IN ADDITION, THE CRUSHED STONE BASE COURSE MATERIAL SHALL HAVE A MINIMUM CBR (CALIFORNIA BEARING RATIO) OF 75 AS DESCRIBED IN THE PROJECT SPECIFICATIONS.
 5. STORM DRAINAGE PIPES, DITCHES AND DRAINAGE STRUCTURES MUST BE FREE OF SEDIMENT, TRASH, DEBRIS AND PONDING WATER PRIOR TO FINAL APPROVAL.
 6. PRIOR TO THE PLACEMENT OF CONCRETE FOR CURB INLETS, BOX CULVERTS OR OTHER CONCRETE STRUCTURES, THE CONTRACTOR SHALL PROVIDE 24 HOUR NOTICE OF THE INTENT TO PLACE CONCRETE AND REQUEST THAT THE CITY INSPECT THE REINFORCING STEEL AND FORMING TO VERIFY CONFORMANCE WITH THE PLANS. CONCRETE PLACED WITHOUT CITY INSPECTION TO VERIFY REINFORCING STEEL PLACEMENT AND CONCRETE THICKNESS WILL NOT BE ACCEPTED AND SHALL BE TORN OUT AND RECONSTRUCTED WITH APPROPRIATE CITY APPROVAL.
 7. CONSTRUCTION SHALL NOT COMMENCE ON THIS PROJECT UNTIL A STORM WATER POLLUTION PREVENTION PLAN HAS BEEN PROPERLY IMPLEMENTED.
 8. THE CONTRACTOR SHALL PROVIDE APPROPRIATE ADVANCED WARNING DEVICES, BARRICADES, BARRELS AND OTHER MEASURES AS NEEDED TO PROPERLY CONTROL AND ADVISE TRAFFIC.
 9. ALL WORK SHALL CONFORM TO THE CITY OF CONWAY STANDARD DETAILS.
 10. CITY OF CONWAY STANDARD DETAILS FOR ROADWAY AND DRAINAGE CONSTRUCTION ARE LOCATED ON THE TRANSPORTATION DEPARTMENT WEB PAGE.
 11. ALL CONSTRUCTION & MATERIALS SHALL COMPLY WITH ARDOT STANDARD SPECIFICATIONS FOR HIGHWAY CONSTRUCTION, CURRENT EDITION, UNLESS NOTED OTHERWISE.
 12. ALL DISTURBED AREAS TO BE SEEDED AND STABILIZED IN ACCORDANCE WITH ARDOT STANDARD SPECIFICATION FOR HIGHWAY CONSTRUCTION SECTION 622.
- FOR NOTIFICATION OF NEEDED INSPECTION CONTACT:
CITY OF CONWAY
TRANSPORTATION DEPARTMENT
100 EAST ROBINS
CONWAY, ARKANSAS 72032
PHONE 501-450-6165 FAX 501-513-3566
- COORDINATION OF THE WORK**
THE CONTRACTOR SHALL PROVIDE COMPETENT AND EXPERIENCED FIELD PERSONNEL TO COORDINATE THE WORK AND VERIFY THAT THE CONTRACTOR IS CONFORMING TO THE PLANS AND SPECIFICATIONS.
THE CITY IS NOT RESPONSIBLE FOR COORDINATION OF THE PROJECT WORK.

REVISIONS

NO.	DESCRIPTION	DATE



- NOTES:
- ALL MATERIALS & CONSTRUCTION SHALL COMPLY WITH SECTION 605 OF THE ARKANSAS HIGHWAY AND TRANSPORTATION DEPARTMENT STANDARD SPECIFICATIONS FOR HIGHWAY CONSTRUCTION, 2014 EDITION.
 - THE FULL WIDTH OF EACH SECTION SHALL BE POURED MONOLITHICALLY.
 - SOLID SOD ALONG DITCH PAVING TO BE PLACED WITHIN 14 DAYS OF DITCH PAVING CONSTRUCTION.
 - 1/2" WIDE TRANSVERSE EXPANSION JOINTS SHALL BE PLACED IN CONCRETE DITCH PAVING AT MAX. 45' INTERVALS. THE SPACE SHALL BE FILLED WITH APPROVED JOINT FILLER COMPLYING WITH AASHTO M213.

CATHERINE PLACE
DETENTION POND MODIFICATION

JOB NUMBER: 22-106
DRAWN BY: NTR
CHECKED BY: KJJ
DATE: 2/10/23
SCALE: 1"=40'

PLAN, PROFILE
& DETAILS

C2

SALEM & IRBY DETENTION POND EXPANSION CONWAY, ARKANSAS CONSTRUCTION PACKAGE

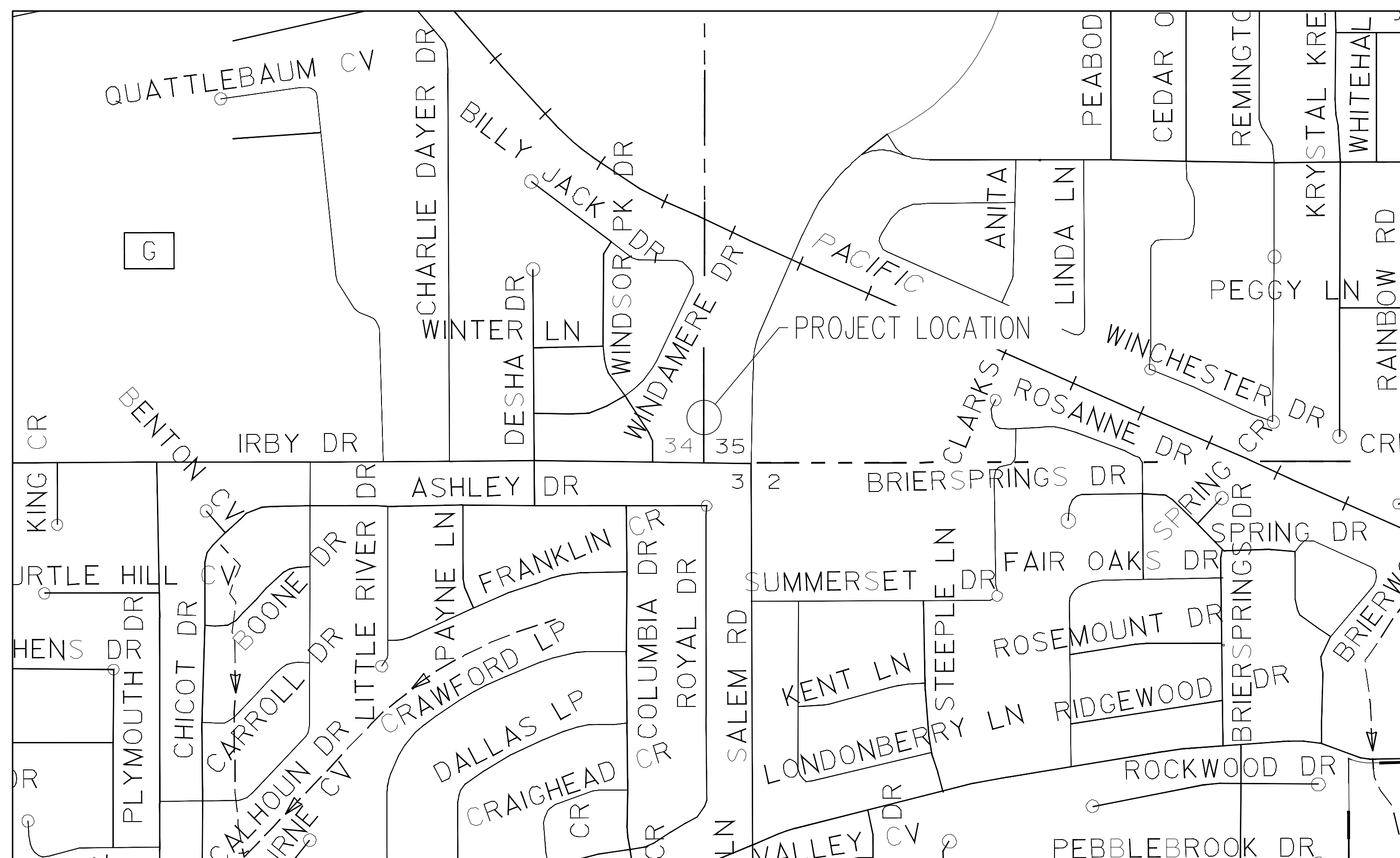
REVISIONS

NO.	DESCRIPTION	DATE

VICINITY MAP

INDEX TO DRAWINGS

- C0 COVER SHEET
- C1 GRADING PLAN



N.T.S

DATE: FEBRUARY 10, 2023
 JOB#: 23-101

CONWAY TRANSPORTATION DEPARTMENT
 100 E. ROBINS STREET STREET CONWAY, ARKANSAS
 PH: 501.450.6165 FAX: 501.513.3566

SALEM & IRBY
 DETENTION POND EXPANSION

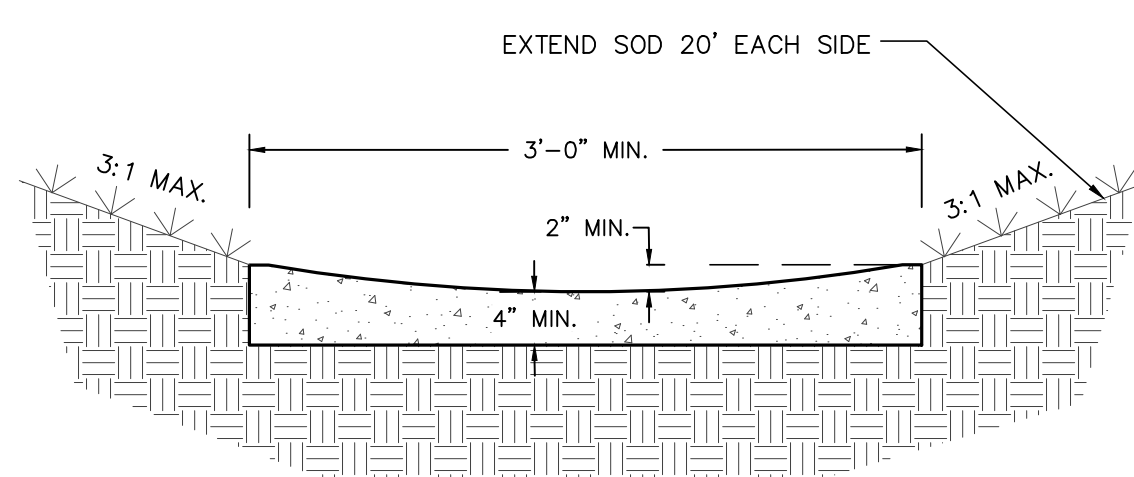
JOB NUMBER: 23-101
 DRAWN BY: NTR
 CHECKED BY: KJJ
 DATE: 2/10/23
 SCALE: N.T.S.

COVER

C0

REVISIONS

NO.	DESCRIPTION	DATE



CONCRETE TRICKLE CHANNEL
N.T.S.

NOTES:

1. ALL MATERIALS & CONSTRUCTION SHALL COMPLY WITH SECTION 605 OF THE ARKANSAS HIGHWAY AND TRANSPORTATION DEPARTMENT STANDARD SPECIFICATIONS FOR HIGHWAY CONSTRUCTION, 2014 EDITION.
2. THE FULL WIDTH OF EACH SECTION SHALL BE POURED MONOLITHICALLY.
3. SOLID SOD ALONG DITCH PAVING TO BE PLACED WITHIN 14 DAYS OF DITCH PAVING CONSTRUCTION.
4. 1/2" WIDE TRANSVERSE EXPANSION JOINTS SHALL BE PLACED IN CONCRETE DITCH PAVING AT MAX. 45' INTERVALS. THE SPACE SHALL BE FILLED WITH APPROVED JOINT FILLER COMPLYING WITH AASHTO M213.

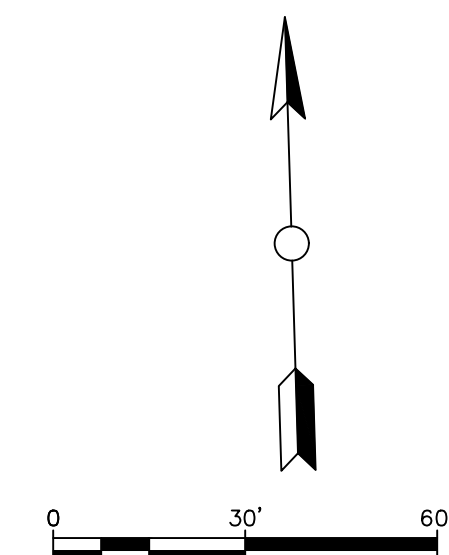
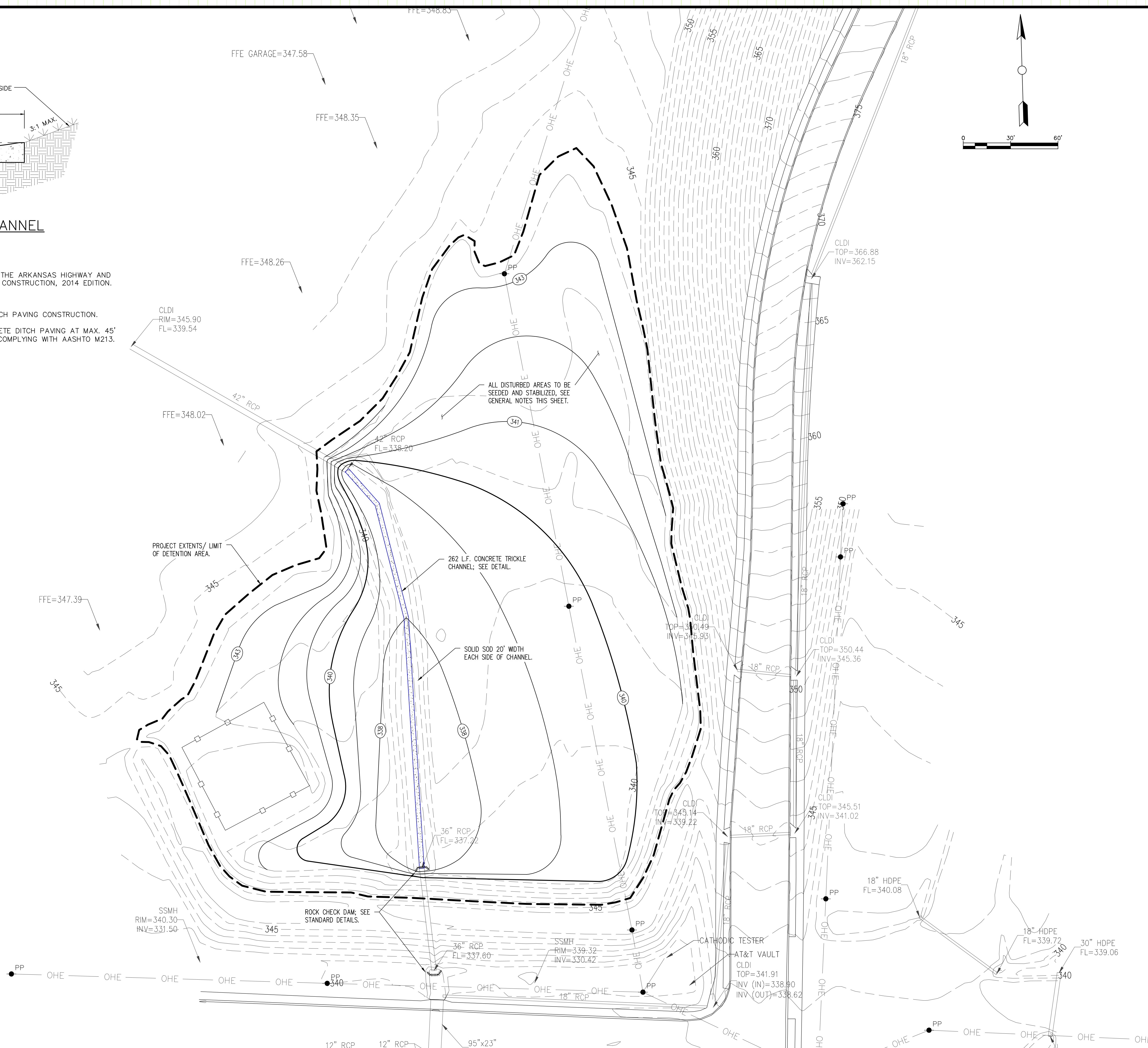
GENERAL CONSTRUCTION REQUIREMENTS:

1. THE TRANSPORTATION DEPARTMENT SHALL BE NOTIFIED 24 HOURS PRIOR TO PLACEMENT OF ANY FILL MATERIAL, INSTALLATION OF STORM DRAINAGE PIPE OR DRAINAGE STRUCTURES OR PLACEMENT OF CRUSHED STONE. THE SUBGRADE SHALL BE APPROVED BY THE CONWAY TRANSPORTATION DEPARTMENT PRIOR TO PLACEMENT OF CRUSHED STONE.
2. EARTHWORK EQUIPMENT SHALL INCLUDE AN APPROPRIATE SIZE VIBRATORY SHEEP'S FOOT COMPACTOR, WATER TRUCK AND MOTOR PATROL.
3. ALL STORM DRAINAGE PIPE SHALL BE RCP CLASS III UNLESS SPECIFICALLY APPROVED OTHERWISE.
4. CRUSHED STONE BASE COURSE SHALL CONFORM TO THE REQUIREMENT FOR CLASS 7 AGGREGATE BASE COURSE AS DESCRIBED IN SECTION 303-AGGREGATE BASE COURSE OF THE ARKANSAS HIGHWAY DEPARTMENT'S "STANDARD SPECIFICATIONS FOR HIGHWAY CONSTRUCTION". THE CRUSHED STONE BASE COURSE GRADATION SHALL CONFORM TO THE ABOVE REFERENCED SPECIFICATION FOR THIS MATERIAL AFTER THE MATERIAL HAS BEEN PLACED AND COMPACTED. SAMPLES OF THE IN-PLACE MATERIAL MAY BE OBTAINED AND TESTED BY THE OWNER TO ASSURE CONFORMANCE TO THE SPECIFICATION. MATERIAL NOT CONFORMING TO THE SPECIFICATIONS SHALL BE REMOVED AND REPLACED. IN ADDITION, THE CRUSHED STONE BASE COURSE MATERIAL SHALL HAVE A MINIMUM CBR (CALIFORNIA BEARING RATIO) OF 75 AS DESCRIBED IN THE PROJECT SPECIFICATIONS.
5. STORM DRAINAGE PIPES, DITCHES AND DRAINAGE STRUCTURES MUST BE FREE OF SEDIMENT, TRASH, DEBRIS AND PONDING WATER PRIOR TO FINAL APPROVAL.
6. PRIOR TO THE PLACEMENT OF CONCRETE FOR CURB INLETS, BOX CULVERTS OR OTHER CONCRETE STRUCTURES, THE CONTRACTOR SHALL PROVIDE 24 HOUR NOTICE OF THE INTENT TO PLACE CONCRETE AND REQUEST THAT THE CITY INSPECT THE REINFORCING STEEL AND FORMING TO VERIFY CONFORMANCE WITH THE PLANS. CONCRETE PLACED WITHOUT CITY INSPECTION TO VERIFY REINFORCING STEEL PLACEMENT AND CONCRETE THICKNESS WILL NOT BE ACCEPTED AND SHALL BE TORN OUT AND RECONSTRUCTED WITH APPROPRIATE CITY APPROVAL.
7. CONSTRUCTION SHALL NOT COMMENCE ON THIS PROJECT UNTIL A STORM WATER POLLUTION PREVENTION PLAN HAS BEEN PROPERLY IMPLEMENTED.
8. THE CONTRACTOR SHALL PROVIDE APPROPRIATE ADVANCED WARNING DEVICES, BARRICADES, BARRELS AND OTHER MEASURES AS NEEDED TO PROPERLY CONTROL AND ADVISE TRAFFIC.
9. ALL WORK SHALL CONFORM TO THE CITY OF CONWAY STANDARD DETAILS.
10. CITY OF CONWAY STANDARD DETAILS FOR ROADWAY AND DRAINAGE CONSTRUCTION ARE LOCATED ON THE TRANSPORTATION DEPARTMENT WEB PAGE.
11. ALL CONSTRUCTION & MATERIALS SHALL COMPLY WITH ARDOT STANDARD SPECIFICATIONS FOR HIGHWAY CONSTRUCTION, CURRENT EDITION, UNLESS NOTED OTHERWISE.
12. ALL DISTURBED AREAS TO BE SEEDED AND STABILIZED IN ACCORDANCE WITH ARDOT STANDARD SPECIFICATION FOR HIGHWAY CONSTRUCTION SECTION 622.

FOR NOTIFICATION OF NEEDED INSPECTION CONTACT:
CITY OF CONWAY
TRANSPORTATION DEPARTMENT
100 EAST ROBINS
CONWAY, ARKANSAS 72032
PHONE 501-450-6165 FAX 501-513-3566

COORDINATION OF THE WORK

THE CONTRACTOR SHALL PROVIDE COMPETENT AND EXPERIENCED FIELD PERSONNEL TO COORDINATE THE WORK AND VERIFY THAT THE CONTRACTOR IS CONFORMING TO THE PLANS AND SPECIFICATIONS.
THE CITY IS NOT RESPONSIBLE FOR COORDINATION OF THE PROJECT WORK.



SALEM & IRBY
DETENTION POND EXPANSION

JOB NUMBER: 23-101
DRAWN BY: NTR
CHECKED BY: KJJ
DATE: 2/10/23
SCALE: 1" = 30'

GRADING
PLAN
C1